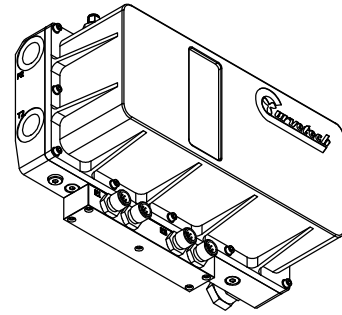


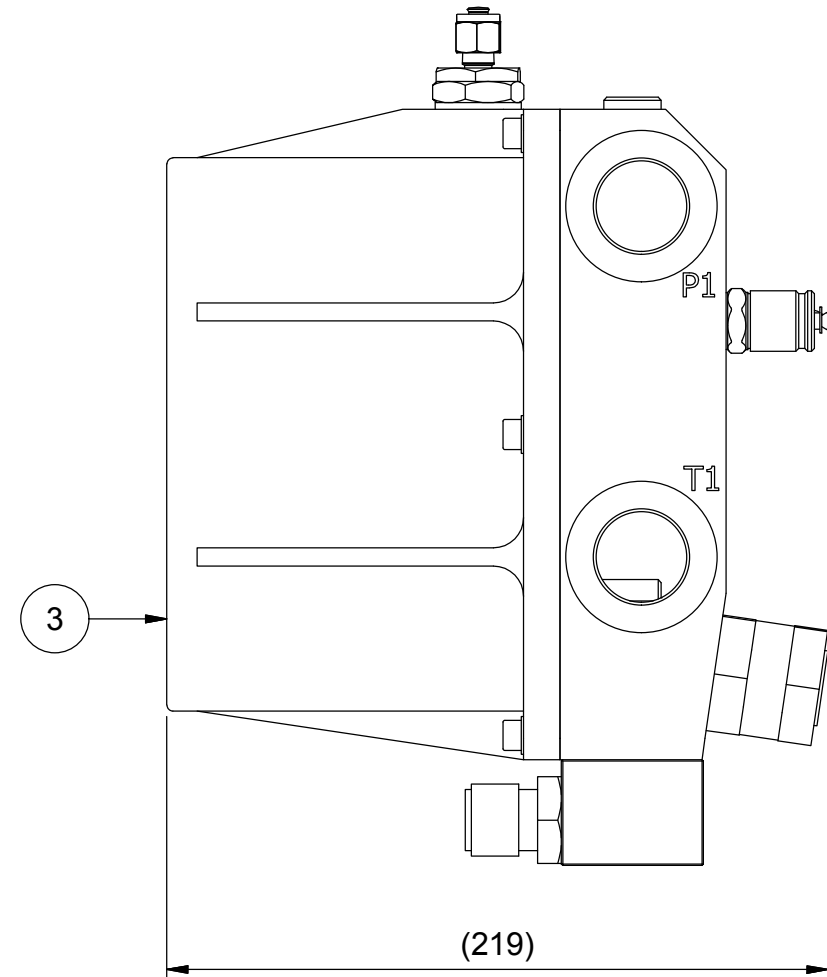
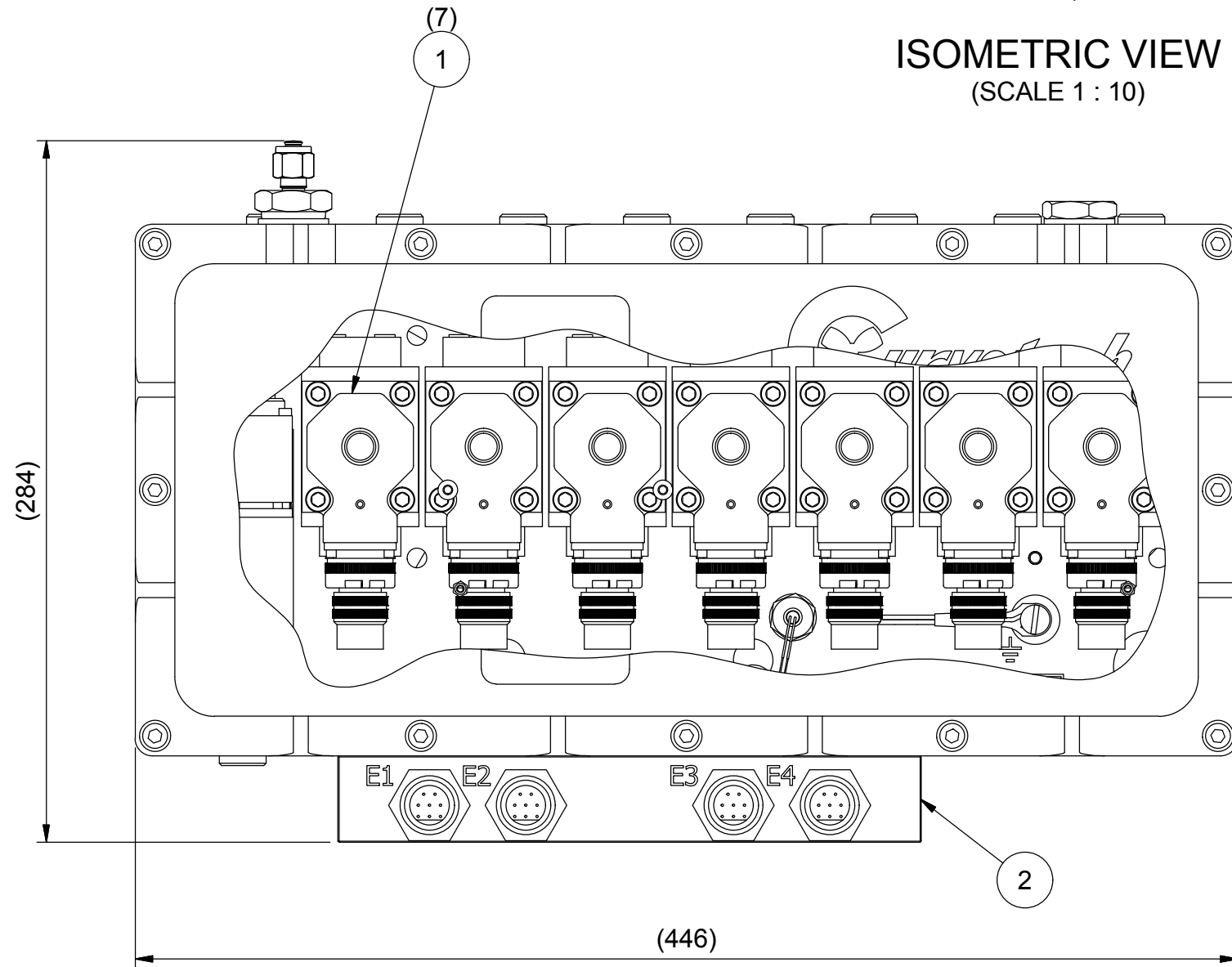
NOTES :-

1. ASSEMBLE IN ACCORDANCE WITH SMD SPECIFICATION W100



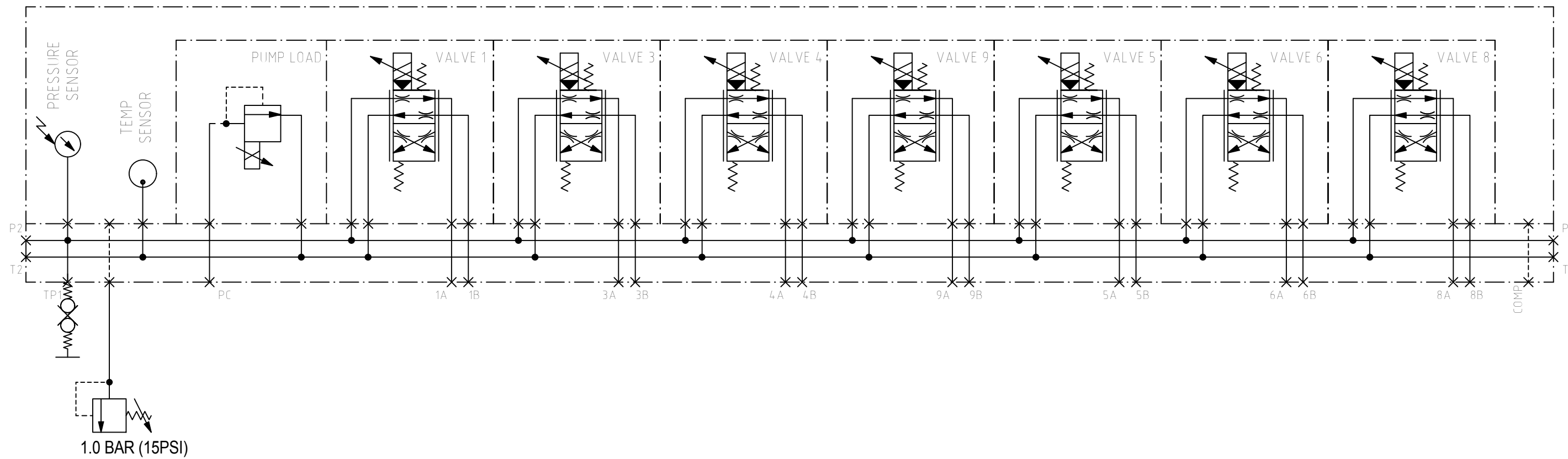
ISOMETRIC VIEW
(SCALE 1 : 10)

PARTS LIST				
ITEM	PART No	DESCRIPTION	QTY	COMMENT
1	AG2077	ASSEMBLY VALVE SERVO 57 LPM	7	
2	AH3924	ASSEMBLY TCU ELEC. MANIFOLD	1	
3	AH3973	ASSEMBLY 7 STATION iTCU HOUSING	1	
4	AH6654	DRAWING 6/7/8 STATION iTCU ELECTRICAL WIRING	1	NOT SHOWN



RELEASED FOR MANUFACTURE

REV	DATE	CHANGE COMMENT	DRAWN	CHECKED	APPD	DATE	EST. MASS	DIMENSIONS	SCALE	PROJECTION 3RD	TITLE			
1	22 APR 14	AH6654 ADDED, SHT 2 ADDED - HYD CIRCUIT	LO	JPG	JPG	10 FEB 14	N/A	mm	1 : 2.5		ASSEMBLY 7 STATION iTCU BURTON			
						DESIGNED	DRAWN	TOLERANCES UNLESS OTHERWISE STATED						
						PIB	LO	DIMENSIONS mm	UP TO 100	100 TO 300	300 TO 1000	OVER 1000	MATERIAL:- N/A	
						CHECKED	APPROVED	FABRICATION	± 1.0	± 1.5	± 2.0	± 3.0	DO NOT SCALE IF IN DOUBT ASK	
						NRC	NRC	MACHINED PART	± 0.15	± 0.4	± 0.8	± 1.0		
ALL INTELLECTUAL PROPERTY RIGHTS SUBSISTING IN THESE DESIGNS ARE THE PROPERTY OF SOIL MACHINE DYNAMICS LTD. NO COPY IS TO BE MADE WITHOUT THE WRITTEN PERMISSION OF SOIL MACHINE DYNAMICS LTD. ANY PATENT APPLICATIONS, PATENTS AND / OR DESIGN APPLICATIONS, REGISTERED DESIGNS, DESIGN RIGHTS OR COPYRIGHT ARISING FROM OR CONTAINED IN THE DESIGNS ARE THE PROPERTY OF SOIL MACHINE DYNAMICS LTD. AND ALL INFORMATION MUST BE HELD IN THE STRICTEST CONFIDENCE.						Soil Machine Dynamics Ltd						DRAWING No AH6631	REV No. 1	SIZE A3
												SHEET 1 OF 2		



RELEASED FOR MANUFACTURE

REV	DATE	CHANGE COMMENT	DRAWN	CHECKED	APPD	DATE	EST. MASS	DIMENSIONS	SCALE	PROJECTION 3RD	TITLE			
2	22 APR 14	SEE SHT 1 - THIS SHEET ADDED	LO	JPG	JPG	22 APR 14	N/A	mm	NTS		ASSEMBLY 7 STATION iTCU BURTON			
						DESIGNED	DRAWN	TOLERANCES UNLESS OTHERWISE STATED						
						PIB	LO	DIMENSIONS mm	UP TO 100	100 TO 300	300 TO 1000	OVER 1000	MATERIAL:- N/A	
						CHECKED	APPROVED	FABRICATION	± 1.0	± 1.5	± 2.0	± 3.0	DO NOT SCALE IF IN DOUBT ASK	
						NRC	NRC	MACHINED PART	± 0.15	± 0.4	± 0.8	± 1.0		
ALL INTELLECTUAL PROPERTY RIGHTS SUBSISTING IN THESE DESIGNS ARE THE PROPERTY OF SOIL MACHINE DYNAMICS LTD. NO COPY IS TO BE MADE WITHOUT THE WRITTEN PERMISSION OF SOIL MACHINE DYNAMICS LTD. ANY PATENT APPLICATIONS, PATENTS AND / OR DESIGN APPLICATIONS, REGISTERED DESIGNS, DESIGN RIGHTS OR COPYRIGHT ARISING FROM OR CONTAINED IN THE DESIGNS ARE THE PROPERTY OF SOIL MACHINE DYNAMICS LTD. AND ALL INFORMATION MUST BE HELD IN THE STRICTEST CONFIDENCE.						Soil Machine Dynamics Ltd						DRAWING No AH6631	REV No. 1	SIZE A3
												SHEET 2 OF 2		